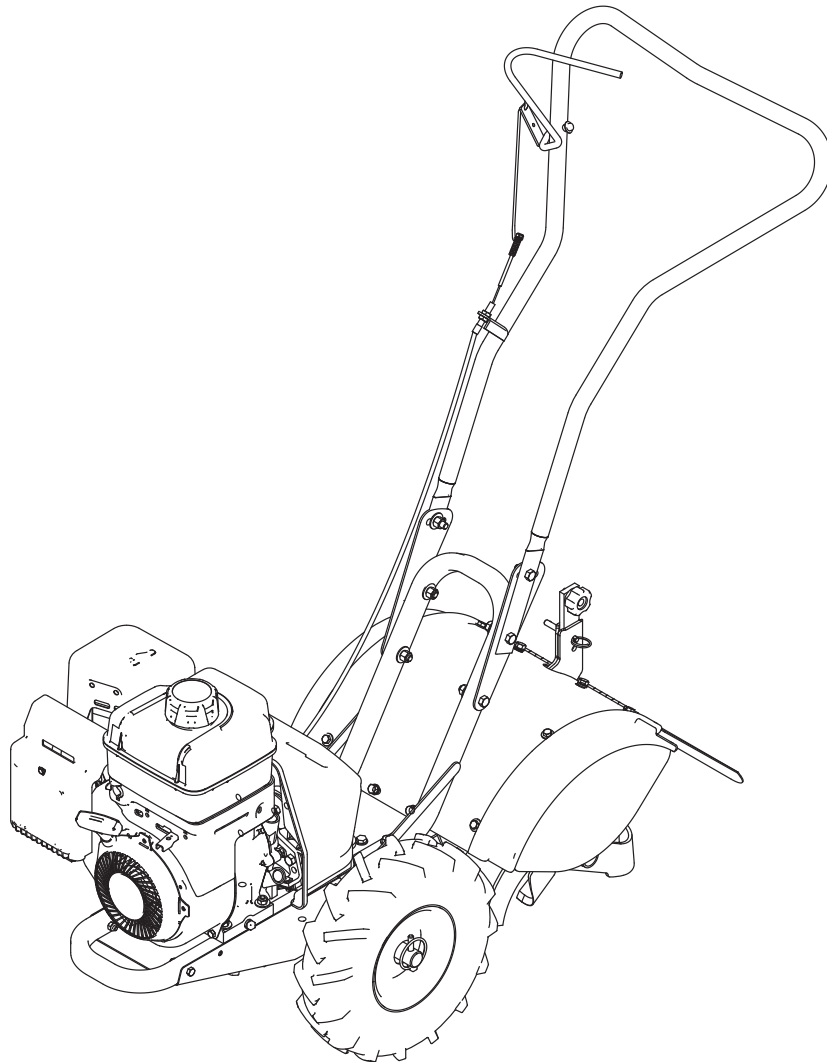




Operator's Manual
Original Operating Instructions
6015 Series
CRT Rototiller

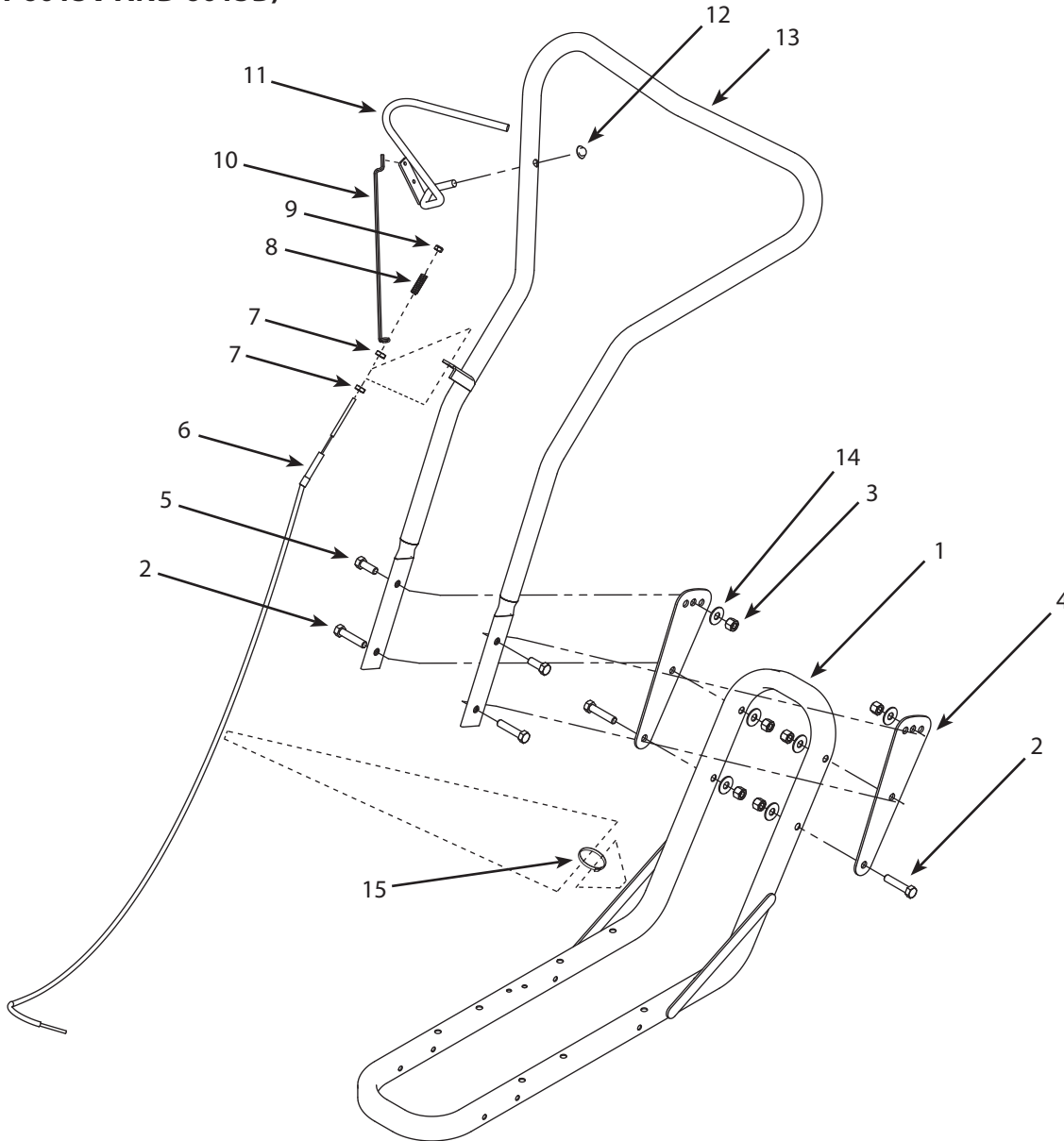


Product #'s:
6015B (Shown)
6015BCE
6015V



P/N: 13594
ECN: 10213
REV3: 10/30/13
© 2014 Ardisam, Inc.
All Rights Reserved

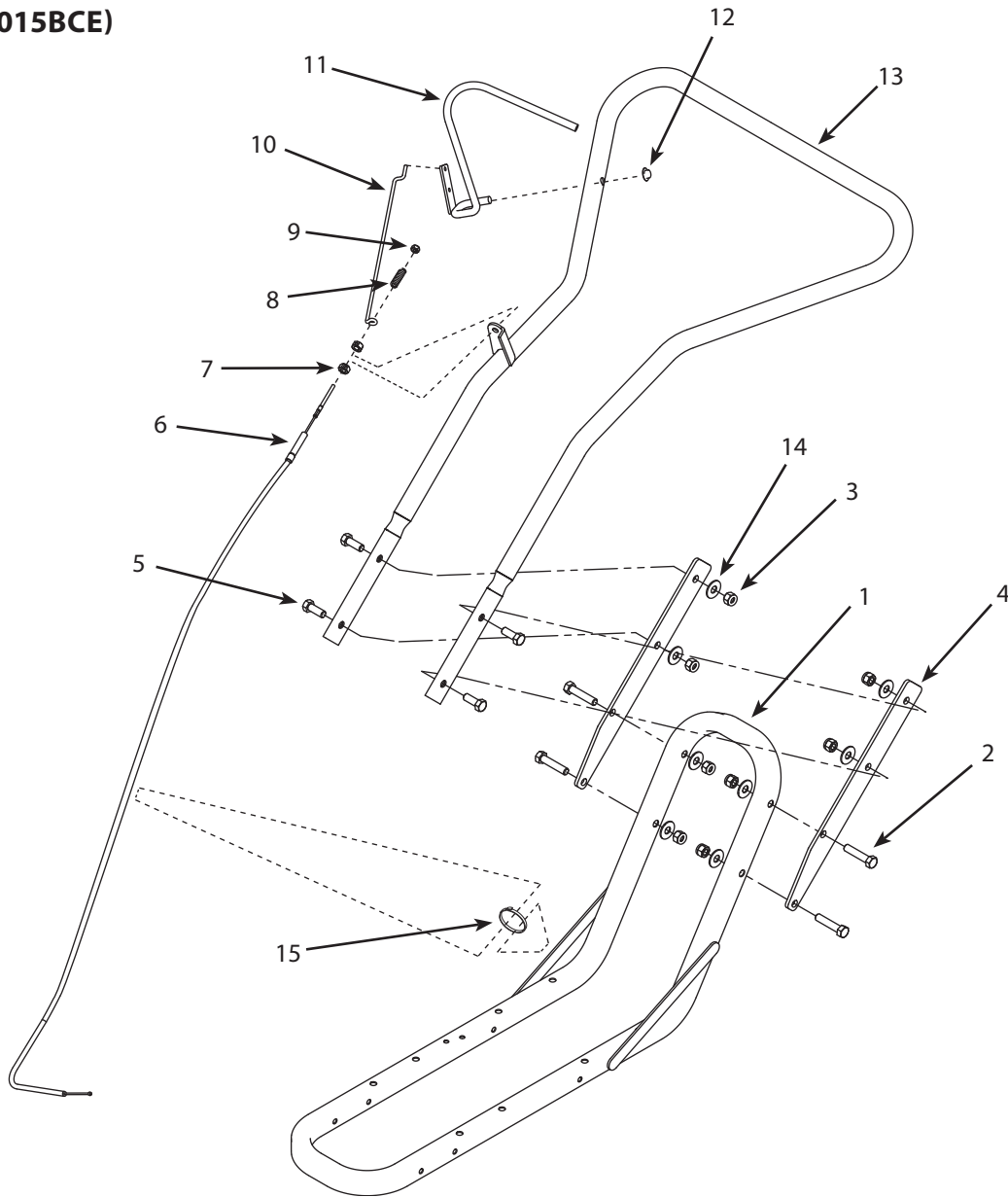
CRT HANDLEBAR AND HOOD PARTS AND PARTS LIST (PRODUCT 6015V AND 6015B)



REF. NO.	PART #	DESCRIPTION	QTY.
1	31305	WELDMENT, ENGINE/HANDLE MOUNT	1
2	2001	BOLT 3/8-16 X 1/34 HH GR5 ZN	4
3	1662	NUT 3/8-16 NYLOCK	6
4	13285	HANDLEBAR EXTENSION	2
5	2102	BOLT 3/8-16 X 1 HH GR5 ZN	2
6	53630	CABLE, REAR TINE 39" SHEATH	1
7	53607	NUT 5/16-24 HEX JAM	2
8	53620	COMPRESSION SPRING	1

REF. NO.	PART #	DESCRIPTION	QTY.
9	53606	NUT 10-24 HNYLK ZN	1
10	53613	LINK 9 1/2" LONG	1
11	3262	DEADMAN WELDMENT	1
12	3170	NUT-PUSH 3/8" W/SAFETY WASHER	1
13	31313	WELDMENT, HANDLE BAR LOOP REAR TINE	1
14	WF38	WASHER, FLAT 3/8 STANDARD	6
15	-	ZIP TIE	1

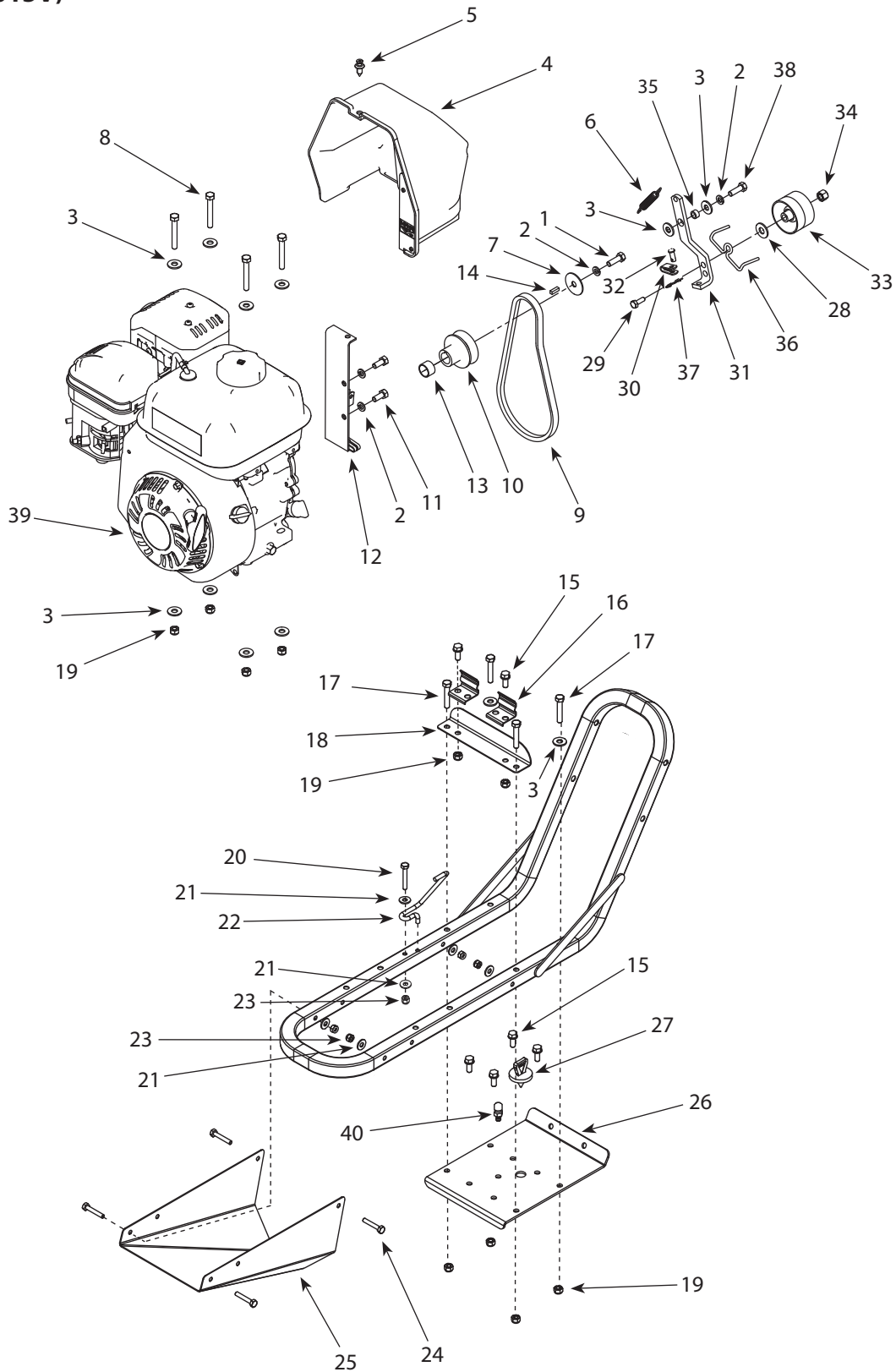
CRT HANDLEBAR AND HOOD PARTS AND PARTS LIST (PRODUCT 6015BCE)



REF. NO.	PART #	DESCRIPTION	QTY.
1	31305	WELDMENT, ENGINE/HANDLE MOUNT	1
2	2001	BOLT 3/8-16 X 1/34 HH GR5 ZN	4
3	1662	NUT 3/8-16 NYLOCK	8
4	31329	HANDLE BAR EXTENSION CE	2
5	2102	BOLT 3/8-16 X 1 HH GR5 ZN	4
6	31335	CABLE, REAR TINE FOR CE	1
7	53607	NUT 5/16-24 HEX JAM	2
8	53620	COMPRESSION SPRING	1

REF. NO.	PART #	DESCRIPTION	QTY.
9	53606	NUT 10-24 HNYLK ZN	1
10	53613	LINK 9 1/2" LONG	1
11	3262	DEADMAN WELDMENT	1
12	3170	NUT-PUSH 3/8" W/SAFETY WASHER	1
13	31313	WELDMENT, HANDLE BAR LOOP REAR TINE	1
14	WF38	WASHER, FLAT 3/8 STANDARD	8
15	-	ZIP TIE	1

CRT MOTOR MOUNT PARTS (PRODUCT 6015V)



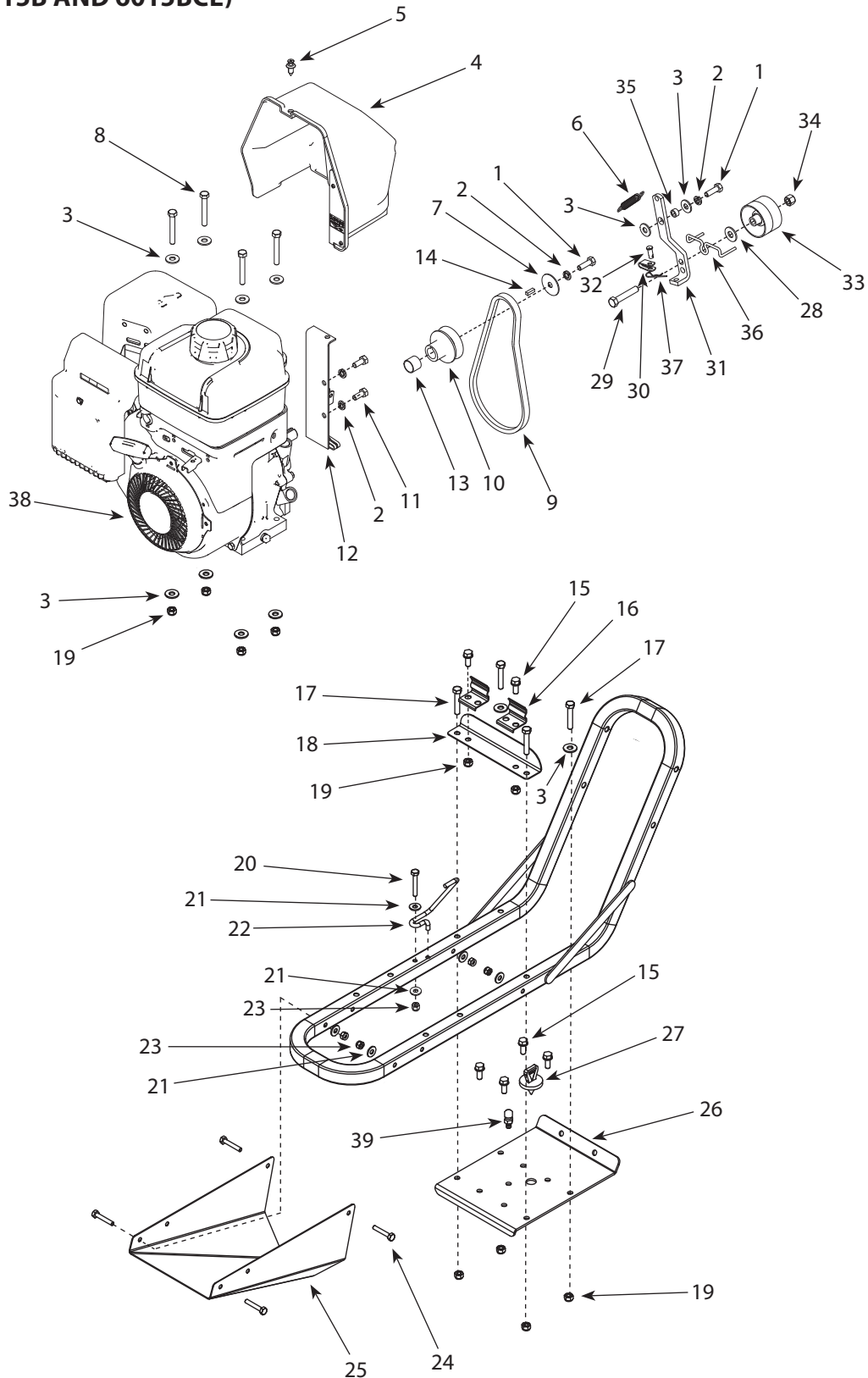
**CRT MOTOR MOUNT PARTS LIST
(PRODUCT 6015V)**

REF. NO.	PART #	DESCRIPTION	QTY.
1	810	BOLT, 5/16-24 X 1 HH GR5	1
2	504	LOCKWASHER SPRING 5/16"	4
3	WF516	WASHER, FLAT 5/16" STANDARD ZN	12
4	13453	GUARD, BELT REAR TINE	1
5	53638	RIVET, PLASTIC PUSH IN REAR TINE, 12/05	1
6	1407	SPRING FORWARD ARM	1
7	803	WASHER, 5/16"ID X 1-1/2"OD FLAT 16 GA.	1
8	48300	BOLT, 5/16-18 X 2-1/4 HHCS GR5 ZN	4
9	31315	BELT, DRIVE L4 POWER RATED	1
10	3178	PULLEY, SINGLE GROOVE ENGINE	1
11	18106	BOLT, M8 -1.25 X 20 HH	2
12	53622	WELDMENT, CABLE PULL PLATE RT, 12/05	1
13	13993	SPACER, DRIVE PULLEY 16.7MM	1
14	3364	KEY	1
15	1501	BOLT, 5/16-18 X 3/4 SFHH GR5 ZN	6
16	53618	CLIP, BELT GUARD TILLERS, 12/05	2
17	8655	BOLT, 5/16-18 X 1-3/4 HH	4
18	31306	TAB, BELT GUARD SUPPORT SMALL REARTINE	1
19	60G5NY	NUT, 5/16-18 NYLOC	10
20	48250	BOLT, 1/4-20 X 1-3/4 HHCS GR5 ZN	1
21	48261	WASHER, 1/4 FLAT ZINC	5
22	53633	GUIDE BELT REAR TINE	1
23	67538	NUT, 1/4-20 HNYLK ZN	5
24	48240	BOLT, 1/4-20 X 1-1/2 HHCS GR5 ZN	4
25	31302	PAN, LOWER	1
26	31301	PLATE, TRANNY COVER/HOOD MOUNT	1
27	53413	DIPSTICK	1

REF. NO.	PART #	DESCRIPTION	QTY.
28	WF38	WASHER, FLAT 3/8 STANDARD ZINC	1
29	48144	BOLT, 3/8-16 X 2 HHCS GR5 ZN	1
30	53596B	YOKE, ZINC PLATED CLEVIS	1
31	53617	ARM, FORWARD REAR TINE, 12/05	1
32	1416	PIN CLEVIS	1
33	1408	PULLEY, IDLER FORWARD	1
34	2104	NUT, 3/8-16 HLKBW ZN	1
35	53637	BUSHING, FORWARD ARM REAR TINE, 12/05	1
36	739	BELT GUIDE, REVERSE	1
37	1418	PIN COTTER SIZE 2	1
38	64617	BOLT, M8 - 1.25 X 25 HH	1
39	*	ENGINE 212CC 4-CYCLE VIPER	1
40	16864	VENT TRANSMISSION	1

* See Viper engine manual for additional information

CRT MOTOR MOUNT PARTS (PRODUCT 6015B AND 6015BCE)



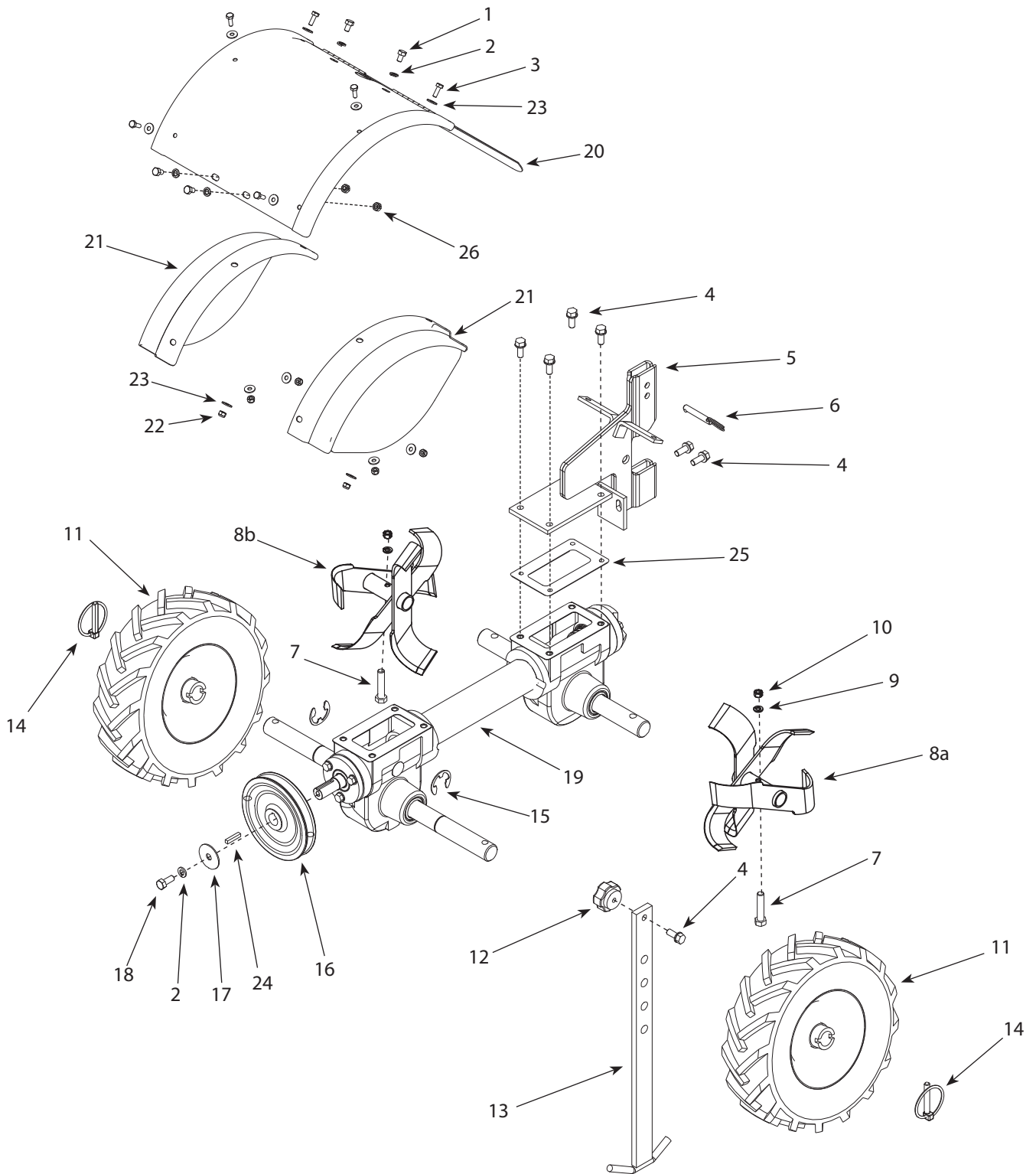
**CRT MOTOR MOUNT PARTS LIST
(PRODUCT 6015B AND 6015BCE)**

REF. NO.	PART #	DESCRIPTION	QTY.
1	810	BOLT, 5/16-24 X 1 HH GR5	2
2	504	LOCKWASHER SPRING 5/16"	4
3	WF516	WASHER, FLAT 5/16" STANDARD ZN	12
4	13453	GUARD, BELT REAR TINE	1
5	53638	RIVET, PLASTIC PUSH IN REAR TINE, 12/05	1
6	1407	SPRING FORWARD ARM	1
7	803	WASHER, 5/16"ID X 1-1/2"OD FLAT 16 GA.	1
8	48300	BOLT, 5/16-18 X 2-1/4 HHCS GR5 ZN	4
9	31315	BELT, DRIVE L4 POWER RATED	1
10	3178	PULLEY, SINGLE GROOVE ENGINE	1
11	802	BOLT, 5/16-24 X 3/4 HH GR5 ZN	2
12	53622	WELDMENT, CABLE PULL PLATE RT, 12/05	1
13	755	SPACER, DRIVE PULLEY .700"	1
14	3364	KEY	1
15	1501	BOLT, 5/16-18 X 3/4 SFHH GR5 ZN	6
16	53618	CLIP, BELT GUARD TILLERS, 12/05	2
17	8655	BOLT, 5/16-18 X 1-3/4 HH	4
18	31306	TAB, BELT GUARD SUPPORT SMALL REARTINE	1
19	60G5NY	NUT, 5/16-18 NYLOC	10
20	48250	BOLT, 1/4-20 X 1-3/4 HHCS GR5 ZN	1
21	48261	WASHER, 1/4 FLAT ZINC	5
22	53634	GUIDE BELT REAR TINE	1
23	67538	NUT, 1/4-20 HNYLK ZN	5
24	48240	BOLT, 1/4-20 X 1-1/2 HHCS GR5 ZN	4
25	31302	PAN, LOWER	1
26	31301	PLATE, TRANNY COVER/HOOD MOUNT	1
27	53413	DIPSTICK	1

REF. NO.	PART #	DESCRIPTION	QTY.
28	WF38	WASHER, FLAT 3/8 STANDARD ZINC	1
29	48144	BOLT, 3/8-16 X 2 HHCS GR5 ZN	1
30	53596B	YOKE, ZINC PLATED CLEVIS	1
31	53617	ARM, FORWARD REAR TINE, 12/05	1
32	1416	PIN CLEVIS	1
33	1408	PULLEY, IDLER FORWARD	1
34	2104	NUT, 3/8-16 HLKBW ZN	1
35	53637	BUSHING, FORWARD ARM REAR TINE, 12/05	1
36	739	BELT GUIDE, REVERSE	1
37	1418	PIN COTTER SIZE 2	1
38	*	ENGINE 800 SERIES BRIGGS (CE)	1
39	16864	VENT TRANSMISSION	1

* See Briggs and Stratton engine manual for additional information. The CE Briggs engine has additional decals to meet regulations.

CRT TINES & HOOD PARTS (PRODUCT 6015V, 6015B AND 6015BCE)

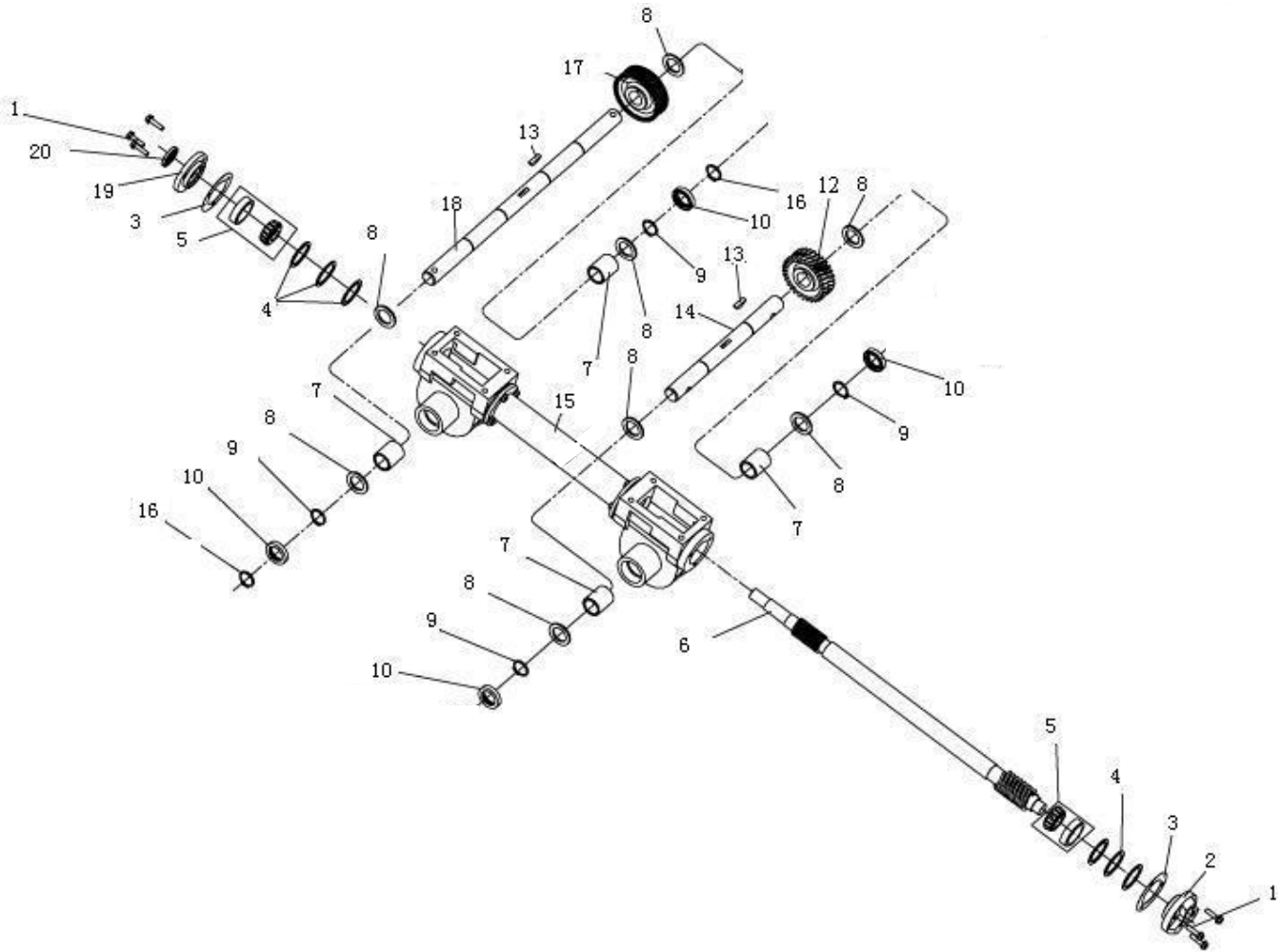


**CRT TINES & HOOD PARTS LIST
(PRODUCT 6015V, 6015B AND 6015BCE)**

REF. NO.	PART #	DESCRIPTION	QTY.
1	417	BOLT, 5/16-18 X 1/2 HH GR5	4
2	504	LOCKWASHER, SPRING 5/16"	5
3	8930	BOLT, 1/4-20 X 3/4 HH GR5 ZN	6
4	1501	BOLT, 5/16-18 X 3/4 HH GR5 ZN	7
5	53660	WELDMENT, TAIL MOUNT REAR TINE, 12/05	1
6	69170	DETENT, PIN 5/16 X 2 ZN	1
7	2001	BOLT, 3/8-16 X 1-3/4 HH GR5 ZN	2
8a	1900LCRT	TINE SET ASSEMBLY LS-CRT RS-SRT	1
8b	1900RCRT	TINE SET ASSEMBLY RS-CRT LS-SRT	1
9	719	WASHER, 3/8" SPRING LOCK ZINC	2
10	2104	NUT, 3/8-16 HLKBW ZN	2
11	1101A	WHEEL TIRE ASSEMBLY/LOCKPIN	2
12	48406	KNOB, 5/15-18, BLACK FIVE STAR	1
13	53655	WELDMENT, DRAG STAKE CRT TILLER, 12/05	1
14	1103	LOCK PIN, 5/16 X 1-3/4 LYNCH PIN 1010 MA	2
15	1710	SNAP RING, EXTERNAL RET.	2
16	31314*	PULLY, TRANSMISSION SMALL REAR TINE	1
17	803	WASHER, 5/16"ID X 1-1/2"OD FLAT 16 GA.	1
18	802	BOLT, 5/16-24 X 3/4 HH GR5 ZN	1
19	1500CRT7	TRANSMISSION ASSY SHORT CRT LOCKPIN LG WH	1
20	31334	WELDMENT, HOOD WITH EXTENSION HOLES	1
21	31332	WELDMENT, SIDE SHIELD	2
22	67538	NUT 1/4-20 HNYLK ZN	6
23	48261	WASHER 1/4" FLAT ZINC	12
24	3364	KEY	1
25	1504	GASKET-TRANS. & TIL. HOUS COVER S-8091	2
26	60G56	NUT, LOC 5/16-18 BI-WAY ZN	2

* On the 6015V the pulley is reversed, putting the short shoulder towards engine.

CRT WHEEL & TILLER SHAFT PARTS & PARTS LIST (PRODUCT 6015V, 6015B AND 6015BCE)



REF. NO.	PART #	DESCRIPTION	QTY.
1	331063	BOLT, M6 X 25MM	6
2	1508	COVER, REAR TRANSMISSION	1
3	1507	GASKET, FRONT & REAR TRANSMISSION COVER	2
4	-	SHIM, DRIVE SHAFT	6
5	1601	BEARING, TAPERED ROLLER	2
6	1500CRT606	SHAFT, DRIVE CRT	1
7	-	BUSHING, TINE & WHEEL SHAFT	4
8	-	SHIM, TINE & WHEEL SHAFT	8
9	1810	RING, RETAINER INTERNAL	4
10	1506	SEAL, GREASE TINE & WHEEL SHAFT	4
12	1500CRT512	GEAR, WORM TINE CRT	1

REF. NO.	PART #	DESCRIPTION	QTY.
13	1500P113	KEY, WOODRUFF	2
14	-	SHAFT, TINE	1
15	-	HOUSING, TRANSMISSION	1
16	1710	RING, RETAINER EXTERNAL	2
17	1500P117	GEAR, WORM WHEEL CRT	1
18	-	SHAFT, WHEEL	1
19	1514	COVER, FRONT TRANSMISSION	1
20	1515	SEAL, GREASE INPUT	1
21	1690	TRANSMISSION LUBE 00 1 QT	1 QT