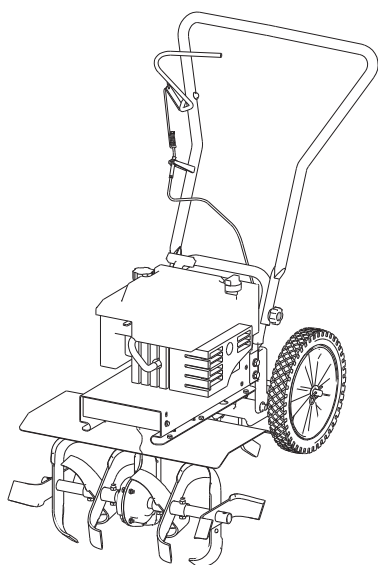


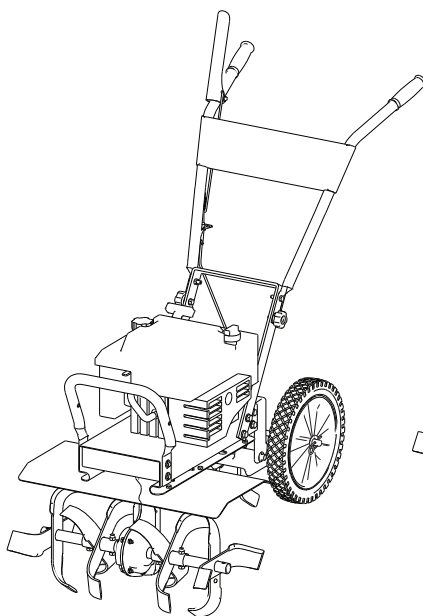
Earthquake

Operator's Manual
Original Operating Instructions
3365 Series
Front-Tine Tiller

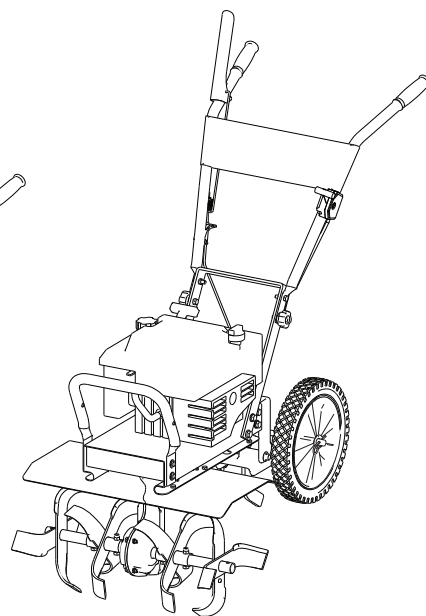


Model 3365B
Briggs & Stratton
6.75 ft-lb Gross Torque

Model 3365CE
Briggs & Stratton
6.75 ft-lb Gross Torque



Model 3365PS
Briggs & Stratton
6.75 ft-lb Gross Torque



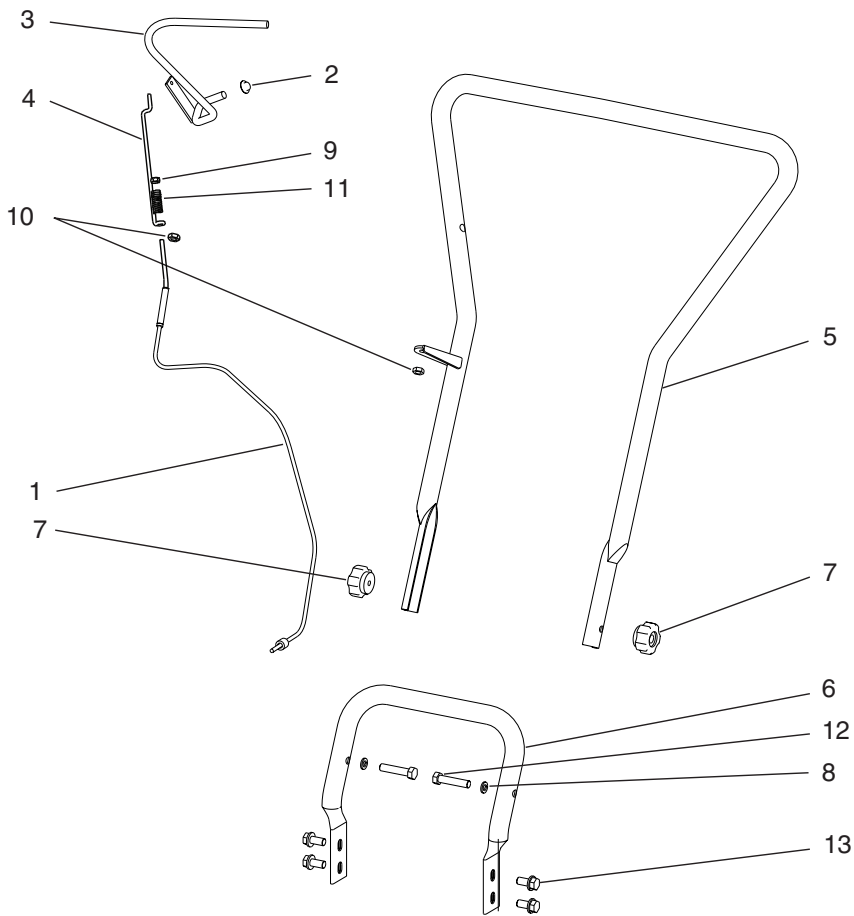
3365PSCE
Briggs & Stratton
8.5 ft-lb Gross Torque

Model 3365H
Honda Engine
(Not Shown)



PARTS BREAKDOWN

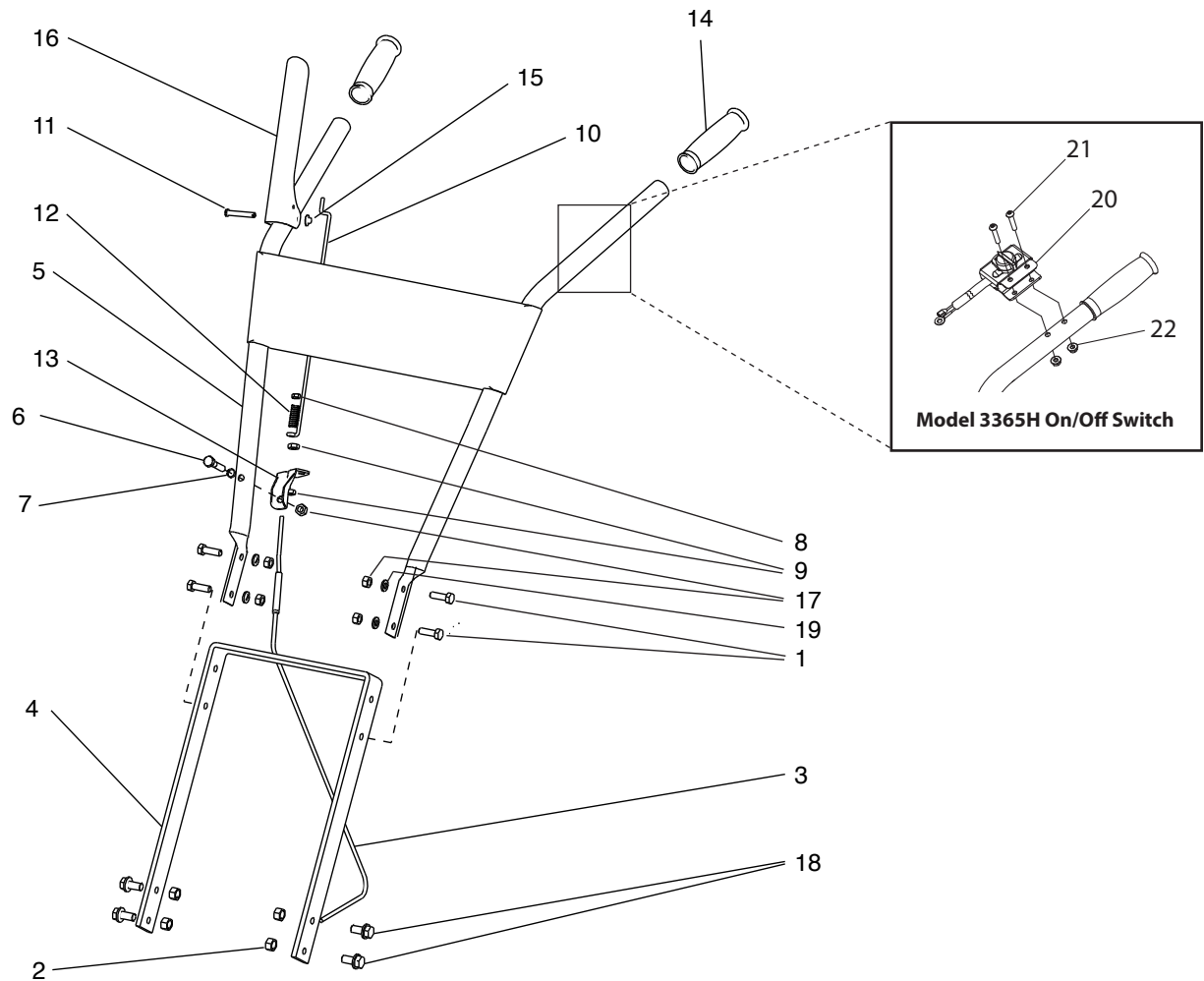
3365B/3365CE HANDLEBAR PARTS



REF. NO.	PART #	DESCRIPTION	QTY
1	3108A	CABLE ASSEMBLY W/FERRULE	1
2	3170	NUT, PUSH 3/8" DIA.	1
3	32621	DRIVE SAFETY CONTROL LEVER (WIDE)	1
4	3268	LINK, 5-3/4" LONG	1
5	3269	HANDLE, TOP	1
6	3335	HANDLE, BOTTOM	1
7	48406	KNOB, FIVE-STAR 5/16-18	2

REF. NO.	PART #	DESCRIPTION	QTY.
8	504	LOCK WASHER, SPRING 5/16"	2
9	53606	NUT, HEX NYLOC 10-24	1
10	53607	NUT, HEX JAM 5/16-24	2
11	53620	SPRING, COMPRESSION	1
12	8655	BOLT, HEX HD 5/16-18 X 1-3/4"	2
13	90141	BOLT, SFHH W/PATCH 3/8-16 X 1" GR5	4

3365PS/3365H HANDLEBAR PARTS

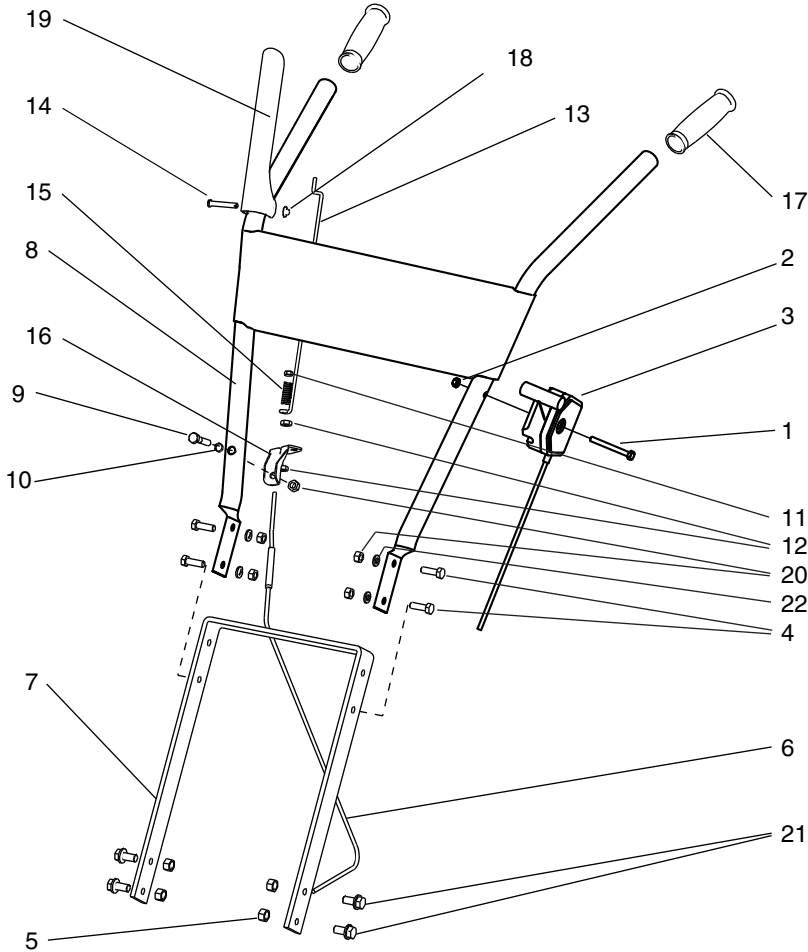


REF. NO.	PART #	DESCRIPTION	QTY.
1	1501	BOLT, SOC FLG HEX HD 5/16-18 X 3/4" GR5	4
2	2104	NUT, BI-WAY HEX LOCK 3/8-16	4
3	3108A	CABLE ASSEMBLY W/FERRULE	1
4	3358	MOUNT, HANDLEBAR	1
5	3359	HANDLEBAR WELDMENT	1
5*	14159	HANDLEBAR WELDMENT FT 3365H	1
6	503	BOLT, HH 5/16-18 X 1-1/2"	1
7	504	LOCK WASHER, SPRING 5/16"	2
8	53606	NUT, HEX NYLOC 10-24	1
9	53607	NUT, HEX JAM 5/16-24	2
10	53612	LINK 11-5/8" LONG	1
11	53614	PIN, CLEVIS 1/4 X 1-1/2"	1

REF. NO.	PART #	DESCRIPTION	QTY.
12	53620	SPRING, COMPRESSION	1
13	53629	BRACKET, CABLE MOUNT	1
14	53631	GRIP, HANDLEBAR 1" ID FLANGELESS	2
15	53632	NUT, PUSH 1/4"	1
16	53650	LEVER, CONTROL	1
17	60G56	NUT, BI-WAY LOCK 5/16-18	5
18	90138	BOLT, SFHH 3/8-16 X 3/4"	4
19	WF516	WASHER, FLAT 5/16"	4
MODEL 3365H ON/OFF SWITCH PARTS			
20	14148	KIT KILL SWITCH AND MOUNT 3365H	1
21	6041612	BOLT 1/4-20 X 1-1/2 PTH ZN 3365H	2
22	67538	NUT 1/4-20 HNYLK ZN 3365H	2

* 3365H specific replacement part.

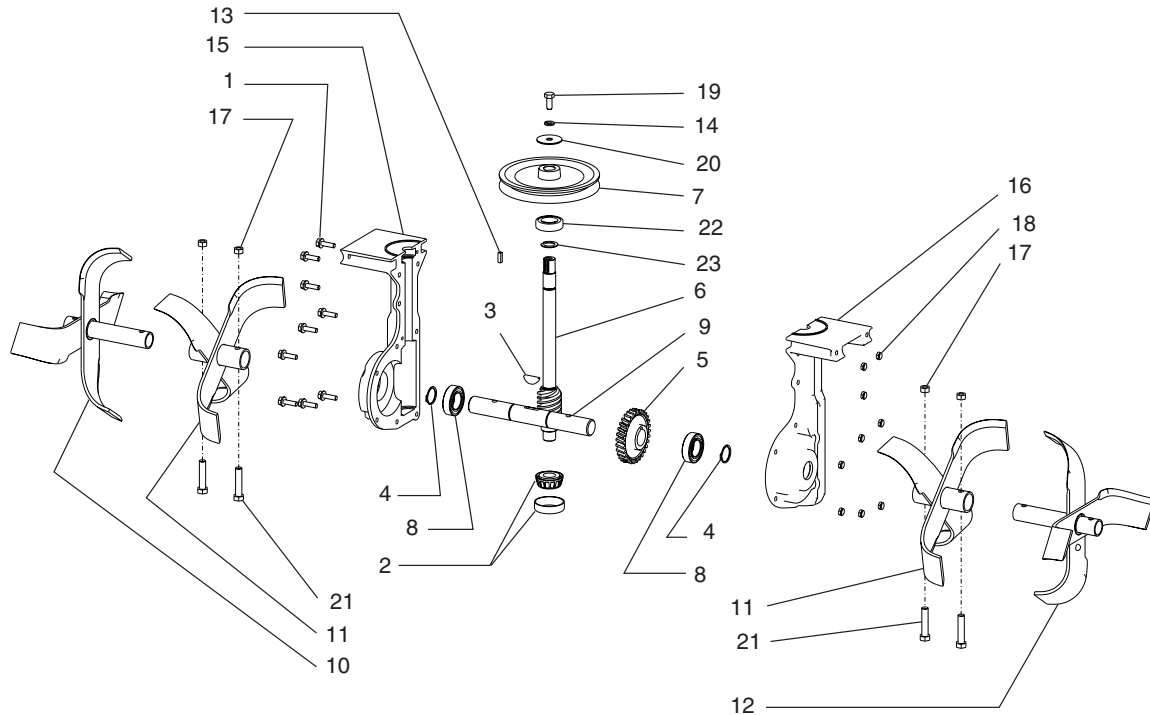
3365PSCE HANDLEBAR PARTS



REF. NO.	PART #	DESCRIPTION	QTY.
1	331059	BOLT, HEX	1
2	W1265V0913	NUT, HEX	2
3	3310118	KIT, THROTTLE CONTROL W/HARDWARE	1
4	1501	BOLT, SOC FLG HEX HD 5/16-18 X 3/4" GR5	4
5	2104	NUT, BI-WAY HEX LOCK 3/8-16	4
6	3108A	CABLE ASSEMBLY W/FERRULE	1
7	3358	MOUNT, HANDLEBAR	1
8	3359	HANDLEBAR WELDMENT	1
9	503	BOLT, HH 5/16-18 X 1-1/2"	1
10	504	LOCK WASHER, SPRING 5/16"	2
11	53606	NUT, HEX NYLOC 10-24	1

REF. NO.	PART #	DESCRIPTION	QTY.
12	53607	NUT, HEX JAM 5/16-24	2
13	53612	LINK 11-5/8" LONG	1
14	53614	PIN, CLEVIS 1/4 X 1-1/2"	1
15	53620	SPRING, COMPRESSION	1
16	53629	BRACKET, CABLE MOUNT	1
17	53631	GRIP, HANDLEBAR 1" ID FLANGELESS	2
18	53632	NUT, PUSH 1/4"	1
19	53650	LEVER, CONTROL	1
20	60G56	NUT, BI-WAY LOCK 5/16-18	5
21	90138	BOLT, SFHH 3/8-16 X 3/4"	4
22	WF516	WASHER, FLAT 5/16"	4

TINES & TRANSMISSION PARTS

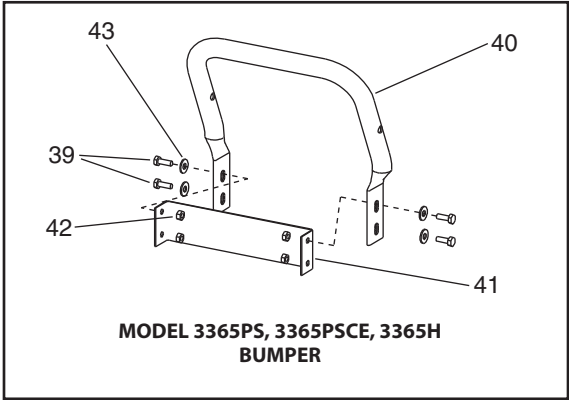
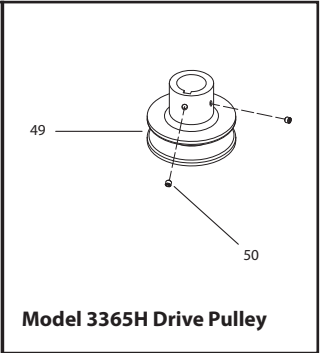
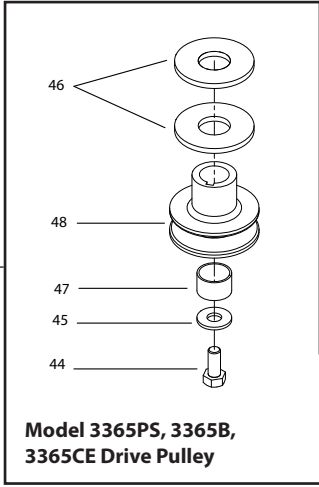
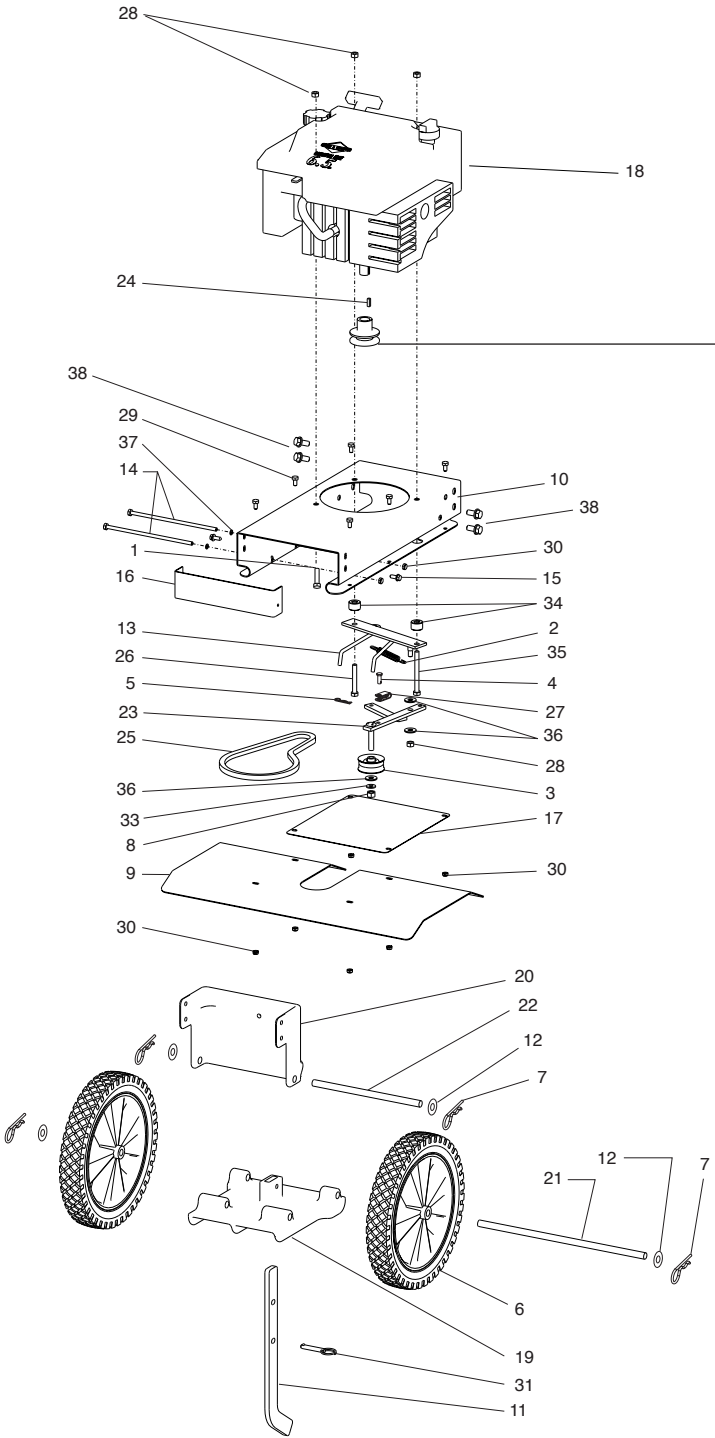


REF. NO.	PART #	DESCRIPTION	QTY.
1	1511	BOLT, SFHH 1/4-20 X 7/8"	9
2	1601	BEARING, TAPERED (includes cone & race)	1
3	1701	KEY, HALF MOON 1/4 X 1"	1
4	1810	SNAP RING, EXTERNAL	2
5	3116	GEAR, BRASS 1" ID	1
6	3122	SHAFT, DRIVE	1
7	3179	PULLEY, SINGLE GROOVE	1
8	3205W	BEARING, SEALED 1" ID (replaces 3205 bearing & 747 spacer)	2
9	3322	SHAFT, TINE 1"	1
10	3323	TINE SET, OUTSIDE RIGHT	1
11	3324	TINE SET, INSIDE	2
12	3326	TINE SET, OUTSIDE LEFT	1
13	3364	KEY 3/16 X 1/2"	1

REF. NO.	PART #	DESCRIPTION	QTY.
14	504	LOCK WASHER, SPRING 5/16"	1
15	56100B*	CASTING, RIGHT SIDE	1
16	56101B*	CASTING, LEFT SIDE	1
17	60G56	NUT, BI-WAY LOCK 5/16-18	4
18	67538	NUT, NYLOC 1/4"	9
19	802	SCREW, HEX HD 5/16-24 X 3/4"	1
20	803	WASHER 5/16" ID X 1-5/8" OD	1
21	8655	BOLT, HEX HD 5/16-18 X 1-3/4"	4
22	8922	BEARING, BALL R12	1
23	8924	SNAP RING, EXTERNAL 3/4"	1
24	3310TRAN	TRANSMISSION, COMPLETE	1
25	3334	KIT, TINES W/ DRAG STAKE (not shown)	1

* Parts 56100B and 56101B are only available to order as a set of two halves, part 56102, not individually.

3365B/3365CE/3365PS/3365PSCE MOTOR MOUNT AND HOOD PARTS



3365B/3365CE/3365PS/3365PSCE/3365H MOTOR MOUNT AND HOOD PARTS

REF. NO.	PART #	DESCRIPTION	QTY.
1	1401	BOLT, HHCS 5/16-18 X 1-1/4" GR5	1
2	1407	SPRING, FORWARD ARM	1
3	1413	PULLEY, FORWARD IDLER	1
4	1416	PIN, LINK	1
5	1418	PIN, COTTER	1
6	1714252	WHEEL & TIRE ASSY 11.0 X 1.75	2
7	3228	HAIRPIN 2.5MM X 51.25MM	4
8	2108	NUT, NON-LOCKING HEX 3/8-16	1
9	3128	SHIELD, TINE	1
10	3130A	FRAME, ENGINE MOUNT	1
11	3157	LEVER, DEPTH REGULATOR	1
12	50175	WASHER, FLAT 12MM	4
13	3182A	BELT GUIDE & MOUNT	1
14	3196	BOLT, HHCS 1/4-20 X 7-1/2" GR5	2
15	3202	SCREW, SHEET METAL 1/4 X 3/4" (3365, 3365B,3365CE)	2
16	3237	COVER, FRONT BELT (3365, 3365B,3365CE)	1
17	3275	SHIELD, DIRT	1
18	3305	ENGINE, 6.75 T.R. BRIGGS (3305, 3365PS, 3365B, 3365CE)	1
18	3305CE	ENGINE, 5.50 T.R. BRIGGS (3306, 3365)	1
18	3306	ENGINE, 6.75 T.R. BRIGGS (3365B, 3365PS)	1
18	3307CE	ENGINE, 8.5 T.R. BRIGGS (3365PSCE)	1
19	3330	TAIL MOUNT, LOWER	1
20	3329	TAIL MOUNT, UPPER	1
21	3331	SHAFT, WHEEL 1/2"	1
22	3332	SHAFT, TAIL MOUNT HINGE 1/2"	1
23	3360	IDLER ARM, FORWARD	1
24	3364	KEY, SQUARE 3/16" X 5/8"	1
24*	804	KEY 3/16 X 1 3365H	1

REF. NO.	PART #	DESCRIPTION	QTY.
25	14978	FORWARD BELT	1
25*	3370	FORWARD BELT 3365H	1
26**	48300	BOLT, HHCS 5/16-18 X 2-1/4" GR5	1
27	53596B	YOKE, CABLE	1
28	60G56	NUT, BI-WAY LOCK 5/16-18	4
29	63118	BOLT, HHCS 1/4-20 X 1/2"	6
30	67538	NUT, HEX NYLOC 1/4-20	8
31	69170	PIN, DETENT 5/16" X 2"	1
32	--	--	--
33	719	WASHER, SPRING LOCK 3/8"	1
34	744	SPACER, BELT GUIDE	2
35**	90140	BOLT, HEX HD 5/16-18 X 3-1/4"	1
36	WF516	WASHER, FLAT 5/16"	3
37	WL14	WASHER, SPRING LOCK 1/4"	2
38	90141	BOLT 3/8-16X1 SFHH GR5ZN W PATCH	4
MODEL 3365PS/3365PSCE/3365H BUMPER GUARD PARTS			
39	1516	BOLT, SOC FLANGE HEX HD, 1/4-20 X 3/4"	4
40	3335	ARM LOWER HANDLEBAR	1
41	3371	COVER, FRONT 4-HOLE (replaces 3237)	1
42	67538	NUT, HEX NYLOC 1/4-20	4
43	WF14	WASHER, FLAT 1/4"	4
MODEL 3365PS/3365B/3365CE/3365H DRIVE PULLEY PARTS			
44	807	BOLT 5/16-24X3/4 W/PATCH BHSCS	1
45	809	WASHER FLAT 1" OD X .047 SPACER	1
46	3207	SPACER .055 THICK X .755 ID X 1.244 OD	2
47	741	SPACER DRIVE PULLEY .900"	1
48	3178	PULLEY SINGLE GROOVE ENGINE	1
49*	3171	PULLEY ENGINE FRONT TINE	1
50*	715	SET SCREW 1/4-20 X 1/4 SCPC BLK OXIDED	2

* 3365H specific replacement part.

** Diagramed parts 26 and 35, on the 3365H only, are replacement part 1423.