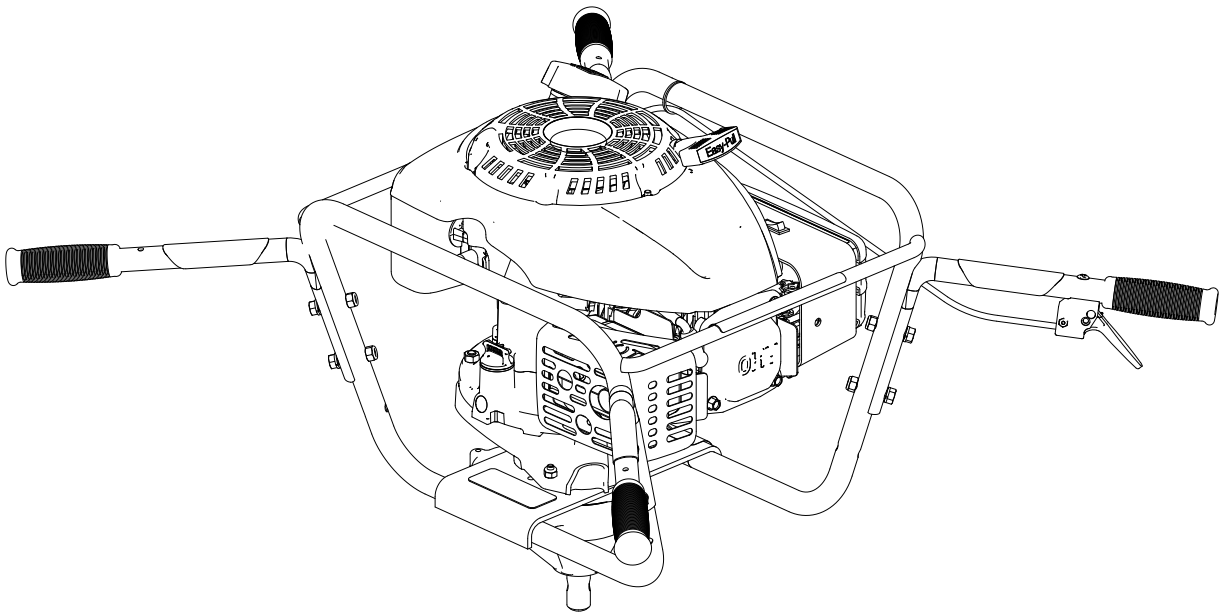




Operator's Manual  
Original Operating Instructions

# Two-Man Earth Auger Powerhead 9800 Series

SN



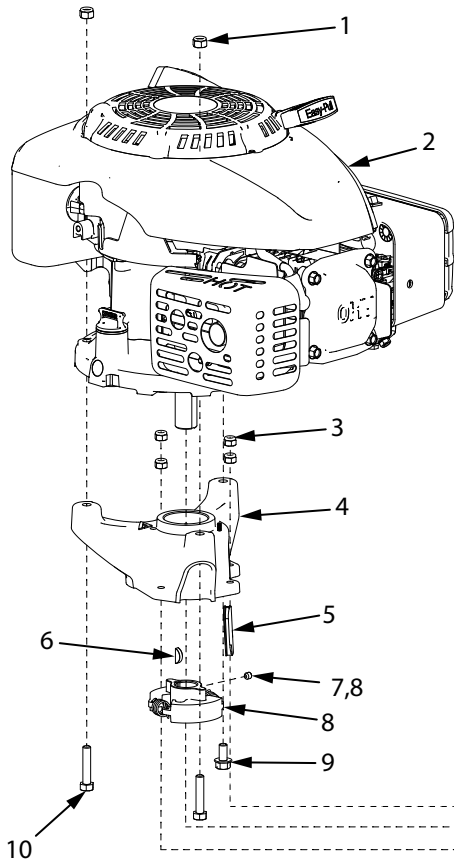
Includes Model:

9800K



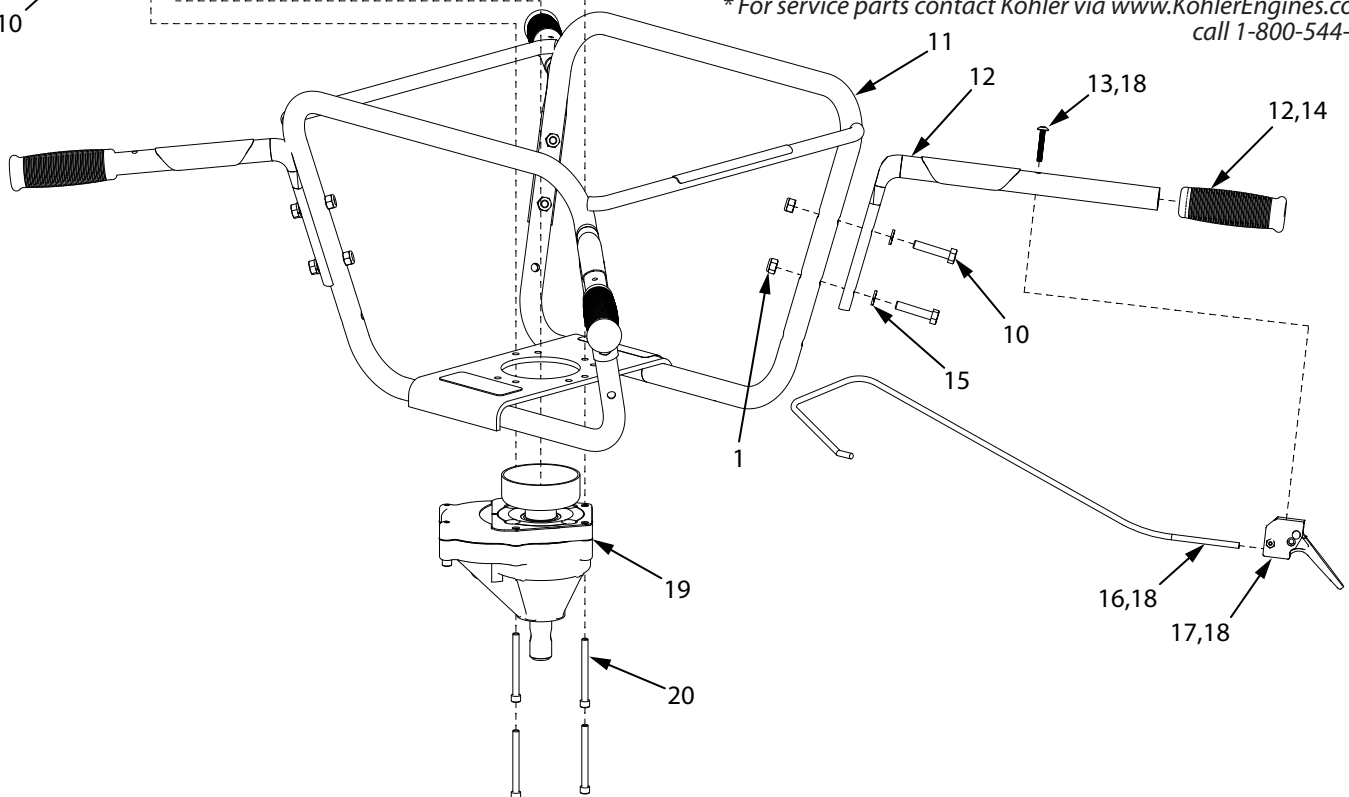
P/N: 22914  
ECN: 11558  
REV1: 03/10/17  
© 2017 Ardisam, Inc.  
All Rights Reserved

## ILLUSTRATED PARTS BREAKDOWN - Powerhead Assembly

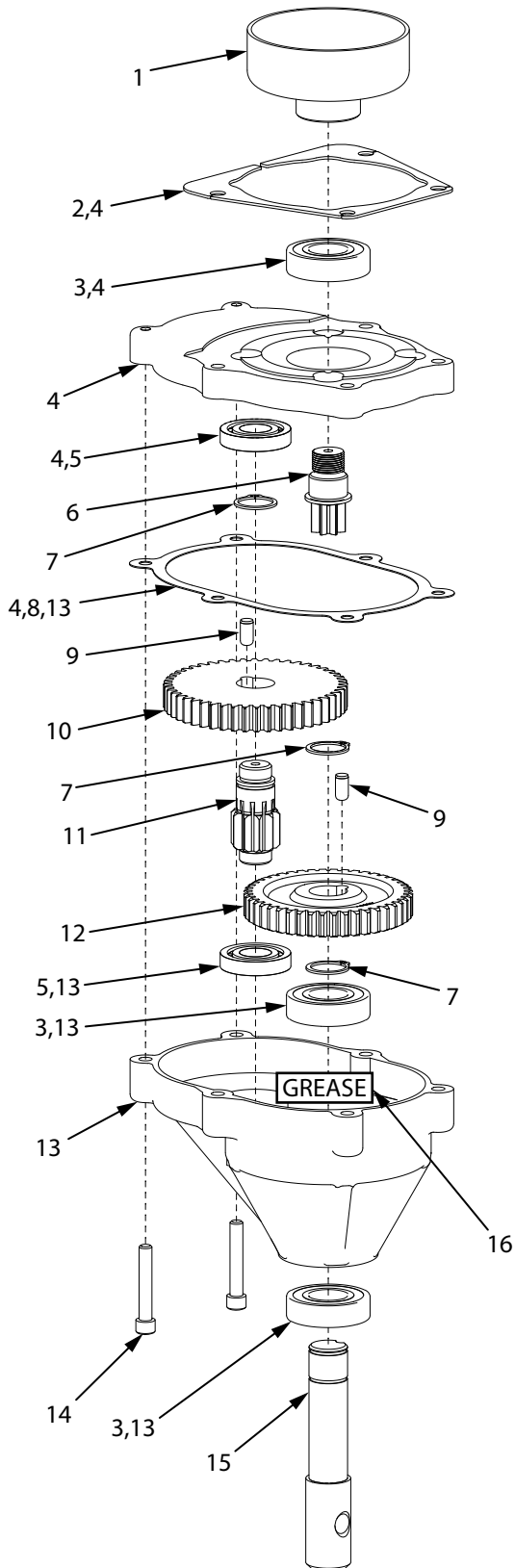


KEY #	PART NO.	DESCRIPTION	QTY.
1	60G5NY	NUT 5/16-18 NYLOCK	10
2*	---	KOHLER XT775 VERTICAL ENGINE	1
3	67538	NUT 1/4-20 IN NYLOCK	4
4	22632	ADAPTER 9800 SERIES	1
5	22664	COVER ADAPTER CLUTCH ACCESS	1
6	WK6	KEY WOODRUFF 5/32 X 5/8 IN	1
7	715	SET SCREW 1/4-20 X 1/4 IN CUP POINT	1
8	9825	ASSEMBLY CLUTCH ROTOR	1
9	18106	BOLT M8 X 1.25 X 20 MM HEX FLANGE	1
10	503	BOLT 5/16-18 X 1-1/2 HEX HEAD	10
11	28046	KIT HANDLEBAR FRAME 9800 SERIES	1
12	9827	HANDLE W/GRIP AND THROTTLE HOLE	4
13	4814	BOLT 10-24 X 1-1/4 PHILLIPS HEAD	1
14	9211	HANDLE GRIP 7/8 IN ID	4
15	504	WASHER 5/16 IN SPRING LOCK	8
16	22907	THROTTLE CABLE	1
17	4819	ASSEMBLY TRIGGER LONG THROW	1
18	22920	KIT THROTTLE CABLE AND TRIGGER	1
19	98005	TRANSMISSION ASSEMBLY	1
20	8935	BOLT 1/4-20 X 2-1/2 IN SOCKET HEAD	4

\* For service parts contact Kohler via [www.KohlerEngines.com](http://www.KohlerEngines.com) or call 1-800-544-2444



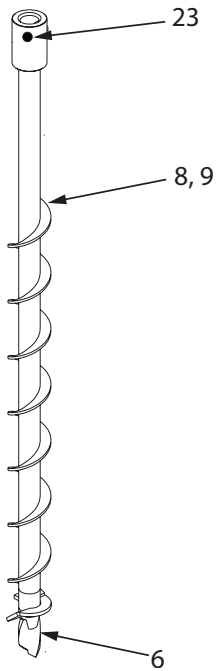
## ILLUSTRATED PARTS BREAKDOWN - Transmission Assembly



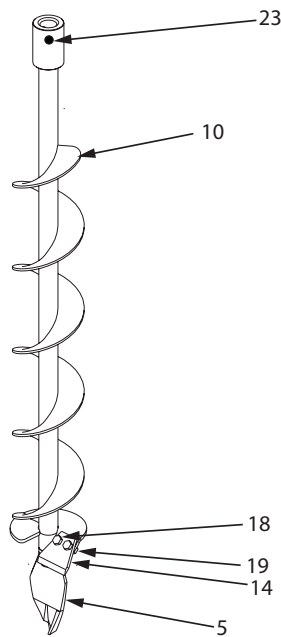
KEY #	PART NO.	DESCRIPTION	QTY.
1	9016	CLUTCH DRUM 3 IN THREADED	1
2	3004149	SHIM 9800 TRANSMISSION TOP	1
3	8922	BEARING R12 X 3/4 IN ID DOUBLE SEAL	3
4	75300	KIT TRANSMISSION TOP	1
5	8923	BEARING R10 X 5/8 IN ID NO SEAL	2
6	9814	GEAR 7 TOOTH PINION	1
7	8924	RING RETAINING 3/4 IN	3
8	8919	GASKET TRANSMISSION	1
9	8915	DOWEL PIN 1/4 X 1/2 IN STEEL	2
10	8914	GEAR 48 TOOTH 3/4 IN ID	1
11	9214A	GEAR 10 TOOTH PINION	1
12	8912	GEAR 44 TOOTH 3/4 IN ID	1
13	75600	KIT TRANSMISSION LOWER	1
14	8929	BOLT 1/4-20 X 1-1/2 SOCKET HEAD	2
15	8913	SHAFT OUTPUT 7/8 IN	1
16	11468	GREASE EP2 MOLYBDENUM	1
17	22912	MANUAL PARTS BAG	1
18	21922	HARDWARE PARTS BAG	1

## ILLUSTRATED PARTS BREAKDOWN - Auger Parts List

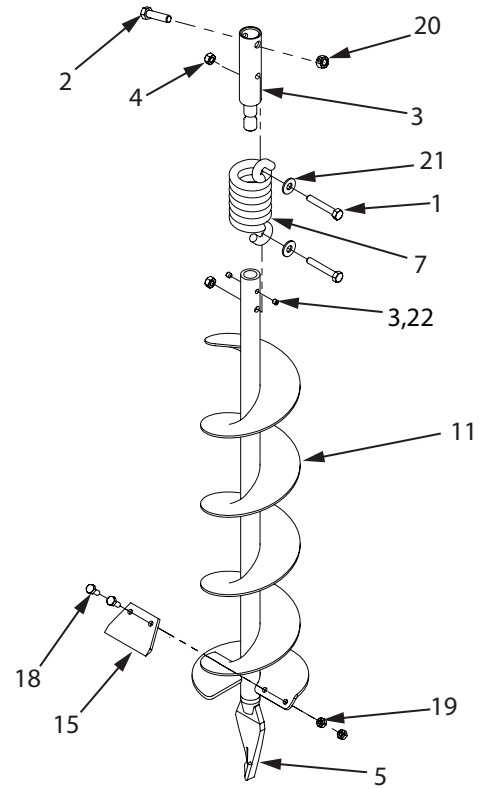
**EA2F, EA3F**



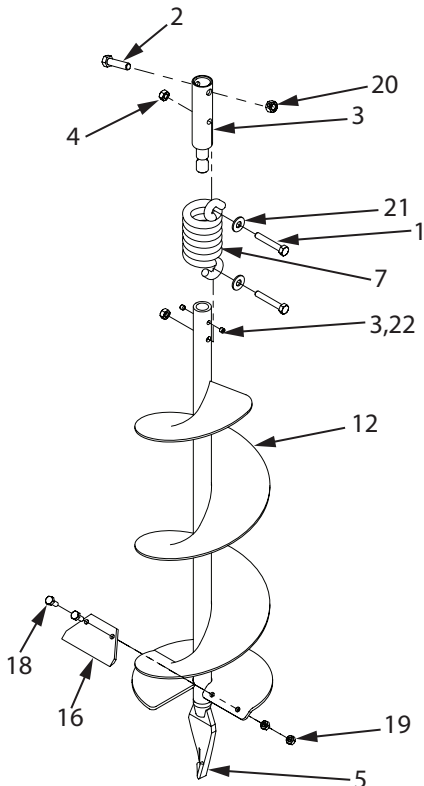
**EA4F**



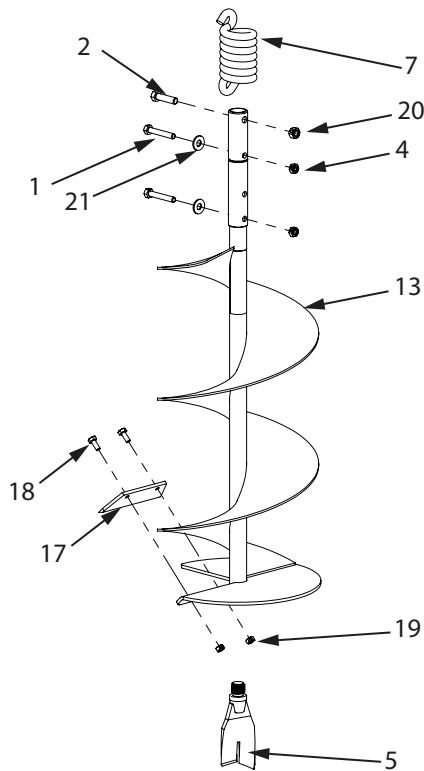
**EA6F**



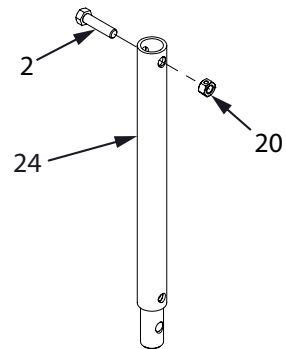
**EA8F**



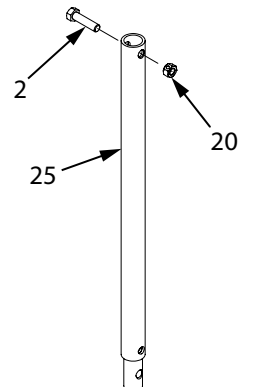
**EA10F**



**EXT12**



**EXT18**



**ILLUSTRATED PARTS BREAKDOWN - Auger Parts List**

KEY NO.	PART NO.	DESCRIPTION	QTY.
1	1423	BOLT-HHCS, 5/16-18 X 2", GR5	2
2	1433	BOLT-HHCS, 3/8-16 X 1-1/2" GR5	2
3	22142	SHOCK TOP 1-PC	1
4	60G56	NUT-HEX 2-WAY REVERSIBLE LOCK-NUT, 5/16-18	2
5	8958HD	FISHTAIL POINT	1
6	8970	EARTH POINT	1
7	8980	SHOCK SPRING	1
8	EA2F	EARTH AUGER, 2" W/FISHTAIL POINT	1
9	EA3F	EARTH AUGER, 3" W/FISHTAIL POINT	1
10	EA4F	EARTH AUGER, 4" W/FISHTAIL POINT	1
11	EA6F	EARTH AUGER, 6" W/FISHTAIL POINT	1
12	EA8F	EARTH AUGER, 8" W/FISHTAIL POINT	1
13	EA10F	EARTH AUGER, 10" W/FISHTAIL POINT	1
14	EB4*	EARTH BLADE, 4"	1
15	EB6*	EARTH BLADE, 6"	1
16	EB8*	EARTH BLADE, 8"	1
17	EB10*	EARTH BLADE, 10"	1
18	EBOLT	BOLT-HEX, 1/4-28 X 5/8", GRADE 5	2
19	ENUT	NUT-NYLOC, 1/4-28	2
20	2104	NUT HEX LOCKING, 3/8-16	2
21	WF516	WASHER-FLAT, 5/16"	2
22	715	SET SCREW 1/4-20 X 1/4 SCPC BLK OXIDED	2
23	8955	BOLT 3/8-16 X 1-1/4 SHCS	1
24	EXT12	DEPTH EXTENSION, 12"	1
25	EXT18	DEPTH EXTENSION, 18"	1
<b>ITEMS NOT SHOWN</b>			
-	EB6HD*	HEAVY DUTY EARTH BLADE, 6"	1
-	EB8HD*	HEAVY DUTY EARTH BLADE, 8"	1
-	EB10HD*	HEAVY DUTY EARTH BLADE, 10"	1

\*Includes mounting hardware EBOLT (2) and ENUT (2)