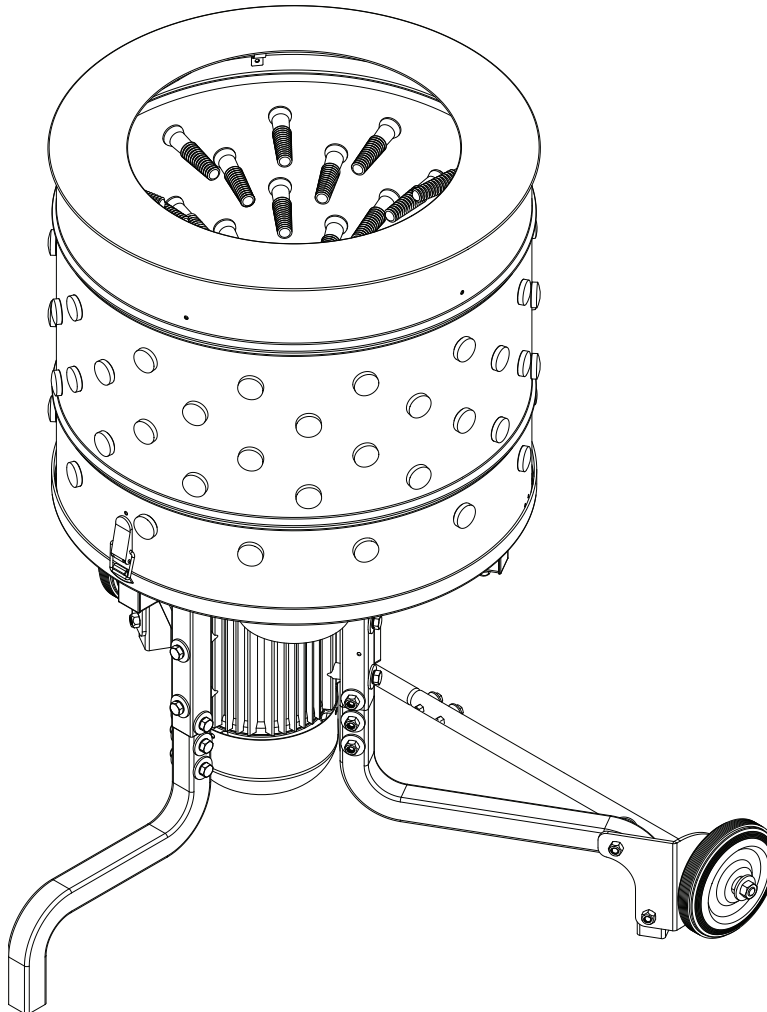




YARDBIRD™

Chicken Plucker

SN



Includes Model - Inclut le modèle - Incluye el modelo:

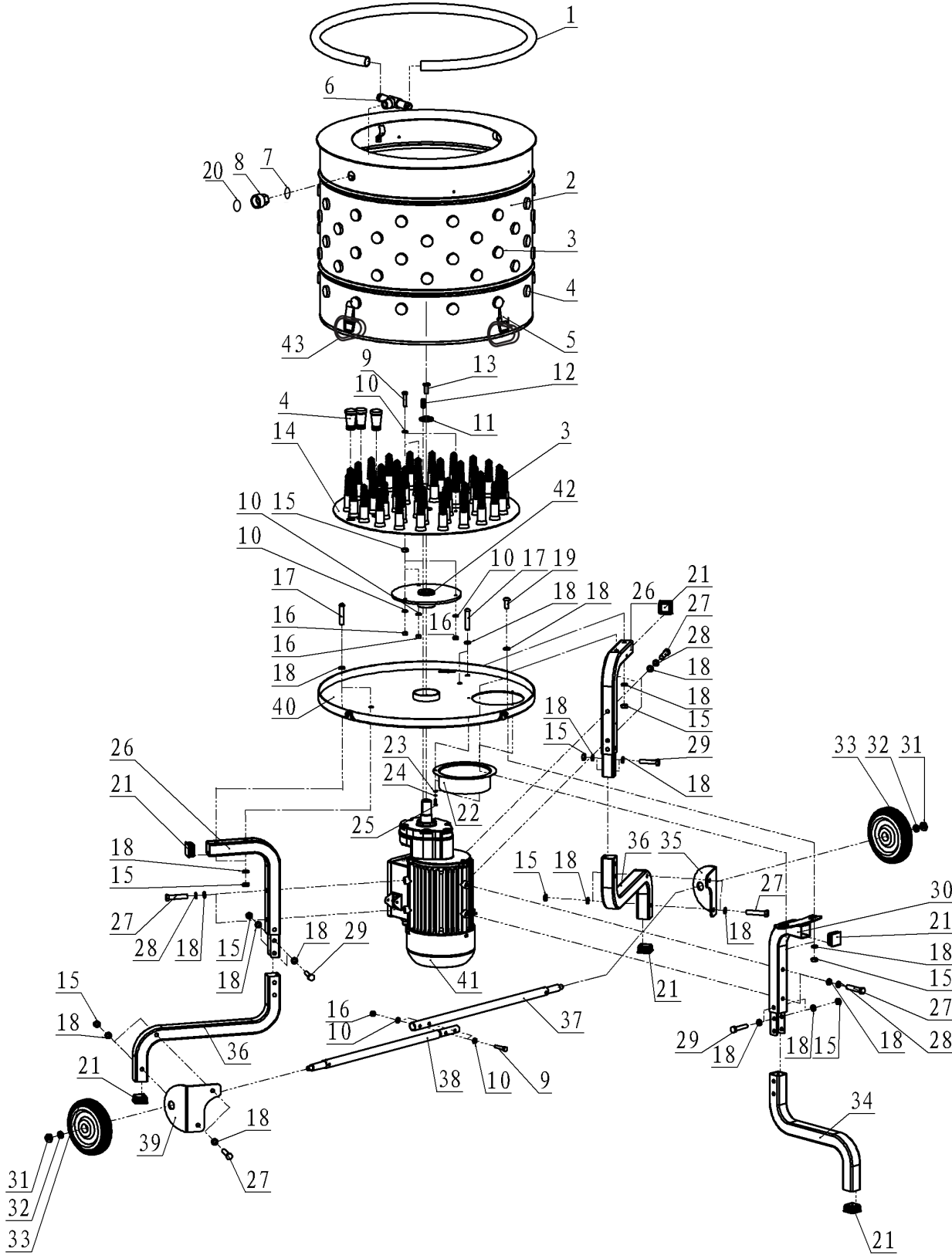
21833



P/N: 23510
ECN: 10960
REV1: 12/22/2015
©2015 Ardisam, Inc.
All Rights Reserved.
Tous droits réservés

Todos los derechos reservados.

ILLUSTRATED PARTS BREAKDOWN: MAIN UNIT





ITEM NO.	PART #	DESCRIPTION	QTY.
1	23632	HOSE TUB WATER SPRAYER	1
2	24018	ASSY DRUM W/HOSE CLIPS	1
3	22577	FINGER REPLACEMENT 98 MM	95
4	22697	FINGER REPLACEMENT 46 MM	13
5	23646	BUCKLE CLAMP	4
6	23649	FITTING TEE 3/4 NPT X BARB X BARB	1
7	23924	O-RING 24 X 26 X 3.5 MM	1
8	23844	FITTING 3/4 FNPT X GARDEN HOSE SWIVEL	1
9	10677	BOLT M6 X 1.0 X 30 HEX	2
10	18130	WASHER M6 SPRING LOCK	10
11	23840	WASHER M8 X 30 DOMED	1
12	24016	KEY SQUARE 6 X 6 X 17.4	1
13	W1265V0904	BOLT M8 X 1.25 X 20 HEX	1
14	23639	FEATHER PLATE	1
15	400023	NUT M8 NYLOCK	16
16	4650	NUT M6 X 1.0 NYLOCK	5
17	24032	BOLT M8 X 1.25 X 45 PHILIPS	4
18	3245	WASHER M8 X 24 X 2.2 FLAT	32
19	24033	BOLT M8 X 1.25 X 20 PHILIPS	2
20	23925	O-RING 26 X 21 X 3 MM	1
21	23636	PLUG SQUARE TUBE 30 MM	6
22	23637	FEATHER CHUTE	1

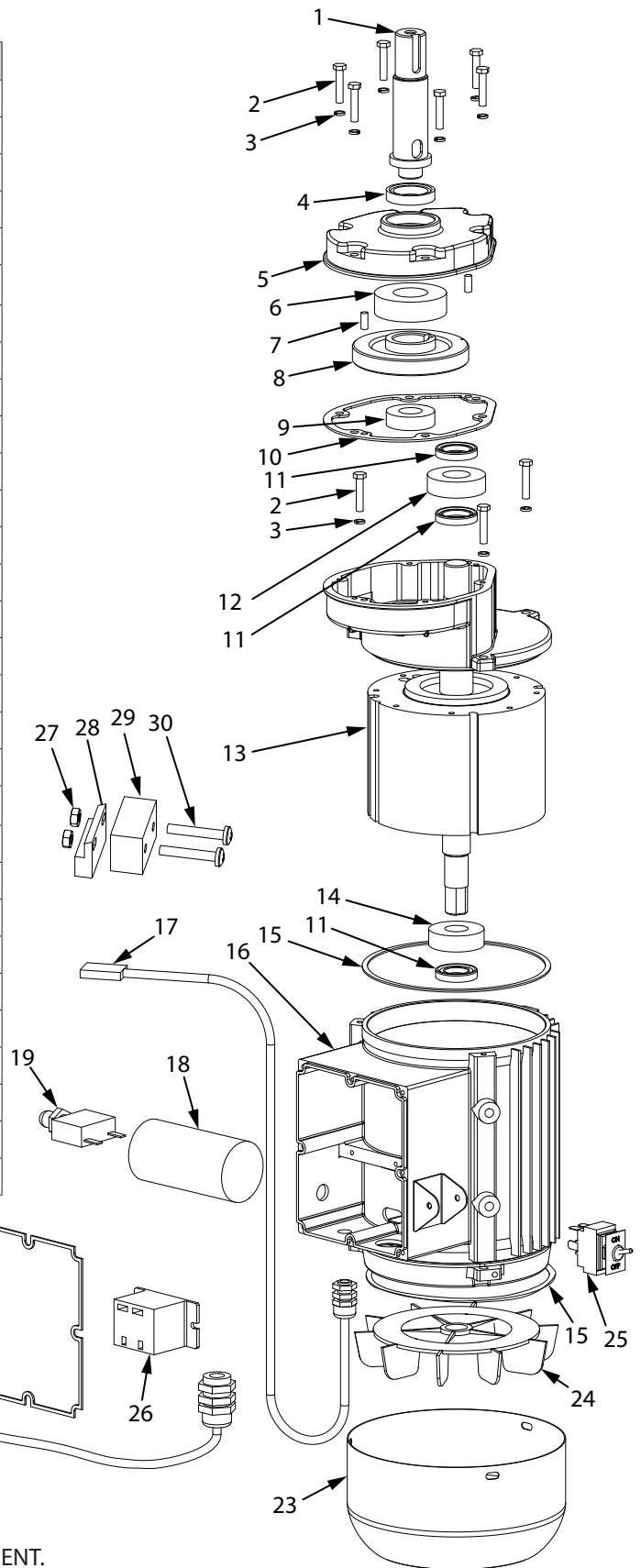
ITEM NO.	PART #	DESCRIPTION	QTY.
23	4692	WASHER M4 FLAT	3
24	22024	WASHER M4 SPRING LOCK	3
25	12419	BOLT M4 X 0.7 X 8 PHILIPS	3
26	23104	AXLE LEG TOP 30 MM	2
27	18098	BOLT M8 X 1.25 X 45 HEX	8
28	21640	WASHER M8 SPRING LOCK	6
29	12770	BOLT M8 X 1.25 X 40 HEX	3
30	23089	SUPPORT LEG TOP 30 MM	1
31*	W1265V0903	NUT M10 X 1.5 NYLOCK	2
32*	19905	WASHER M10 X 20 X 2 FLAT	2
33*	11919	WHEEL KIT WITH HARDWARE	1
34	23107	SUPPORT LEG BOTTOM 30 MM	1
35	23110	SUPPORT BRACKET AXLE FEM	1
36	23108	AXLE LEG BOTTOM 30 MM	2
37	23795	ASSY AXLE FEMALE PLUCKER	1
38	23864	ASSY AXLE MALE PLUCKER	1
39	23111	SUPPORT BRACKET AXLE MALE	1
40	23638	FEATHER PAN	1
41**	---	MOTOR ASSEMBLY	1
42	23112	WELDMENT FEATHER PLATE HUB	1
43	24017	CARABINER PLUCKER	4

* PARTS W1265V0903 AND 19905 INCLUDED IN KIT 11919

**MOTOR ASSEMBLY PARTS LIST LOCATED ON PAGE 14.

ILLUSTRATED PARTS BREAKDOWN: MOTOR GROUP

ITEM NO.	PART #	DESCRIPTION	QTY.
1	23119	OUTPUT SHAFT MOTOR	1
2	24004	BOLT M5 X 0.8 X 30 HEX	9
3	24005	WASHER M5 SPRING LOCK	9
4	23115	OIL SEAL RUBBER 35 MM OD	1
5	23120	FRONT MOTOR COVER	1
6	23128	BEARING 6205RS	1
7	24006	PIN 5MM X 12 GEAR BOX	2
8	23118	OUTPUT SHAFT GEAR	1
9	23129	BEARING 6003RS	1
10	23117	GASKET FRONT UPPER COVER	1
11	23122	OIL SEAL RUBBER 30 MM OD	3
12	23130	BEARING 6004RS	1
13*	---	ASSY ROTOR	---
14	23131	BEARING 6203RS	1
15	23121	GASKET MOTOR HOUSING	2
16*	---	ASSY MOTOR HOUSING	---
17	24014	REED SWITCH	1
18	24009	CAPACITOR MOTOR 1.5 HP	1
19	24008	SWITCH RESET MOTOR 1.5 HP	1
20	24012	GASKET TERMINAL BOX	1
21	24013	PLUG GFCI MOTOR	1
22	24015	COVER TERMINAL BOX	1
23	W1200202	FAN SHROUD MOTOR 1.5 HP	1
24	W1200236	FAN MOTOR 1.5 HP	1
25	24010	SWITCH ON/OFF MOTOR	1
26	24076	RELAY 120V X 120V	1
27	23866	NUT M4 X 0.7 X 3 HEX	2
28	23846	MAGNET SWITCH SHUT OFF	1
29	24082	SPACER PLASTIC SWITCH	1
30	24034	BOLT M4 X 0.7 X 25 PHILIPS	2



* PARTS ARE NOT SERVICABLE. ORDER PART 21833 FOR REPLACEMENT.